

Features

- 1612 size ultra miniature and lightweight SMD crystal units with low profile of 0.35mm
- Frequency range from 24MHz to 54MHz
- High precision and high frequency stability
- High reliable environmental performance
- Automatic mounting and reflow soldering
- Applications: Wireless Communications, Smartphone, Wearable Devices, etc.
- RoHS Compliant & Pb Free



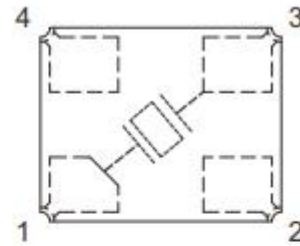
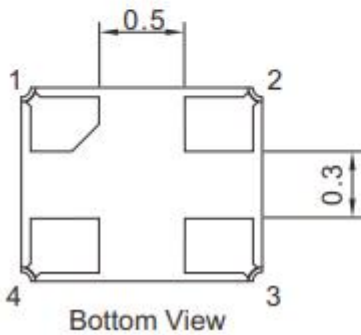
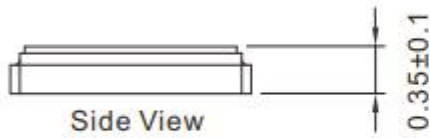
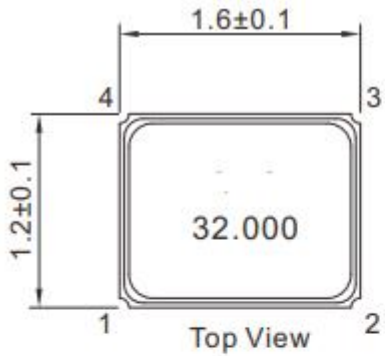
Standard Specification

Item /Type	7Y (1612 Crystal)
Frequency Range	24~54 MHz
Frequency Tolerance	±10ppm, ±20ppm
Frequency Stability	±10ppm, ±20ppm
Load Capacitance	8pF, 10pF, or custom
Operating Temperature	-20~+75°C, or custom
Storage Temperature	-55~+125°C
Drive Level	1~200μW (50μW Typ.) .
Shunt Capacitance	5.0pF Max.
Ageing (at 25°C)	±3ppm first year
Packing Unit	3000pcs. /Reel

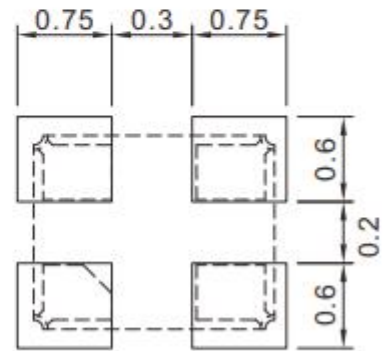
Equivalent Series Resistance

Fundamental	
24~30 MHz	100 Ω Max.
30~54 MHz	80 Ω Max.

Dimensions (mm)



Top View Crystal Connection



Top View Suggested Layout

Part ordering information

X	-7Y	-32.000	-10	-20	-80	-C	-10
	Series	Frequency	Load Capacitance	Frequency tolerance	ESR	Operating Temperature	Frequency stability
		e.g. 32000 = 32 MHz	e.g. 10 = 10 pF	e.g. 20 = 20ppm	e.g. 80 = 80 Ω	e.g. A = -10~+60° B = -20~+70°C C = -40~+85°C D = -40~+105°C E = -55~+125°C	e.g. 10 = 10ppm



X-7Y Series

SMD Crystal Units Seam Sealed Ceramic

Size: 1612 (1.6x1.2x0.35mm)

24MHz to 54MHz / 10ppm-20ppm

Disclaimer

- Any and all X-REF Electronics products described or contained herein do not have specifications that can handle applications that require extremely high levels of reliability, such as life-support systems, aircraft's control systems, or other applications whose failure can be reasonably expected to result in serious physical and/or material damage. Consult with your X-REF Electronics representative nearest you before using any X-REF Electronics products described or contained herein in such applications.
- X-REF Electronics assumes no responsibility for equipment failures that result from using products at values that exceed, even momentarily, rated values (such as maximum ratings, operating condition ranges, or other parameters) listed in products specifications of any and all X-REF Electronics products described or contained herein.
- Specifications of any and all X-REF Electronics products described or contained herein stipulate the performance, characteristics, and functions of the described products in the independent state, and are not guarantees of the performance, characteristics, and functions of the described products as mounted in the customer's products or equipment. To verify symptoms and states that cannot be evaluated in an independent device, the customer should always evaluate and test devices mounted in the customer's products or equipment.
- X-REF Electronics strives to supply high-quality high-reliability products. However, any and all semiconductor products fail with some probability. It is possible that these probabilistic failures could give rise to accidents or events that could endanger human lives, that could give rise to smoke or fire, or that could cause damage to other property. When designing equipment, adopt safety measures so that these kinds of accidents or events cannot occur. Such measures include but are not limited to protective circuits and error prevention circuits for safe design, redundant design, and structural design.
- In the event that any or all X-REF Electronics products(including technical data, services) described or contained herein are controlled under any of applicable local export control laws and regulations, such products must not be exported without obtaining the export license from the authorities concerned in accordance with the above law.
- No part of this publication may be reproduced or transmitted in any form or by any means, electronic or mechanical, including photocopying and recording, or any information storage or retrieval system, or otherwise, without the prior written permission of X-REF Electronics.
- Information (including circuit diagrams and circuit parameters) herein is for example only ; it is not guaranteed for volume production. X-REF Electronics believes information herein is accurate and reliable, but no guarantees are made or implied regarding its use or any infringements of intellectual property rights or other rights of third parties.
- Any and all information described or contained herein are subject to change without notice due to product/technology improvement, etc. When designing equipment, refer to the "Delivery Specification" for the X-REF Electronics product that you intend to use.
- Specifications and information herein are subject to change without notice.